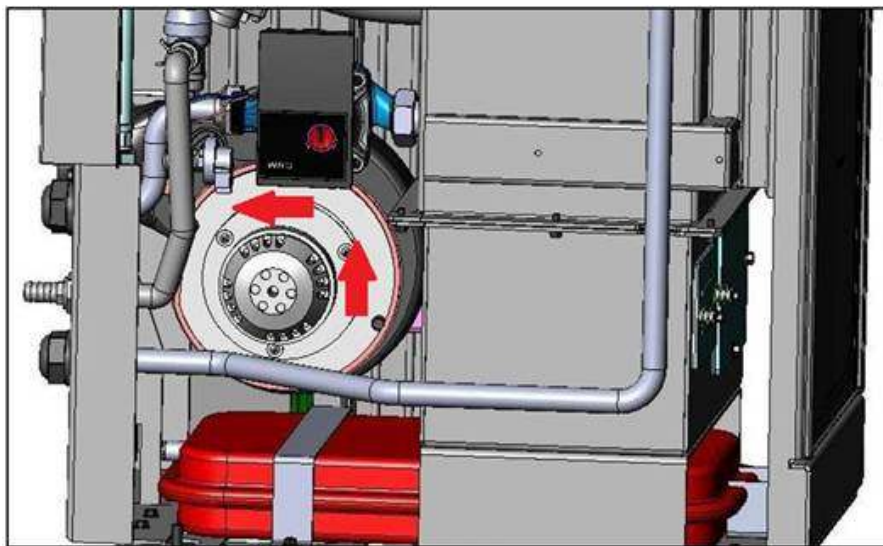


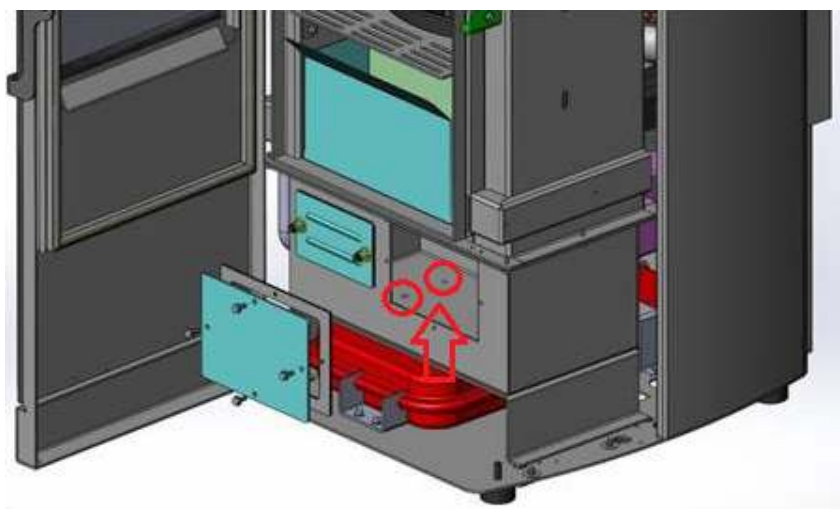
## OBJECT: Precautions for stoves model HR100-HRV120-HRV120 STYLE

In case a stove model Hydro HR100 – HRV120 – HRV120 STYLE is showing signals of LOW FLOW rate, which consequently leads to the obstruction of the fire pot, please follow this precaution steps in order to solve the problem:

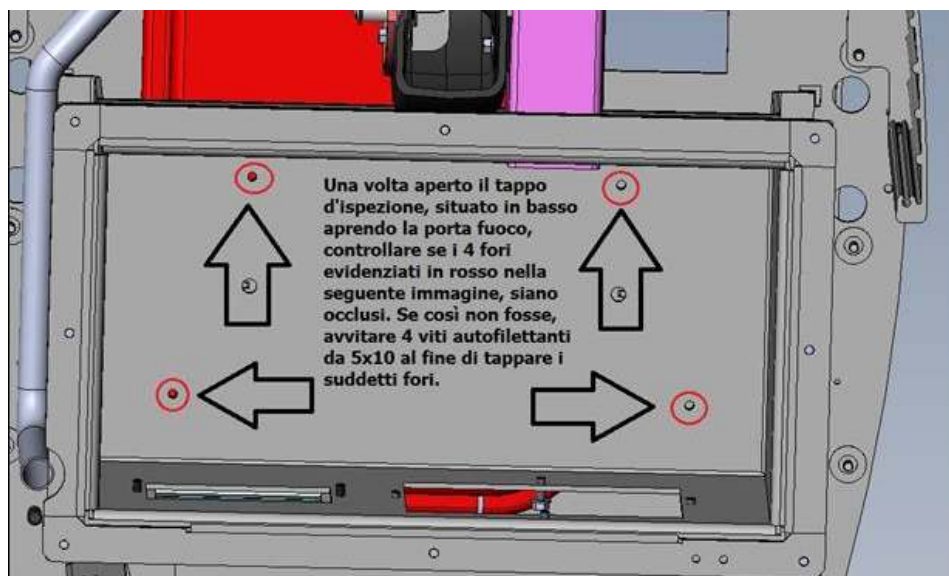
- 1) Please check if the smoke extractor is rotating into the proper direction (CLOCKWISE direction looking at the smoke extractor frontally). To have access to the smoke extractor, remove the lateral left panel. See picture below.



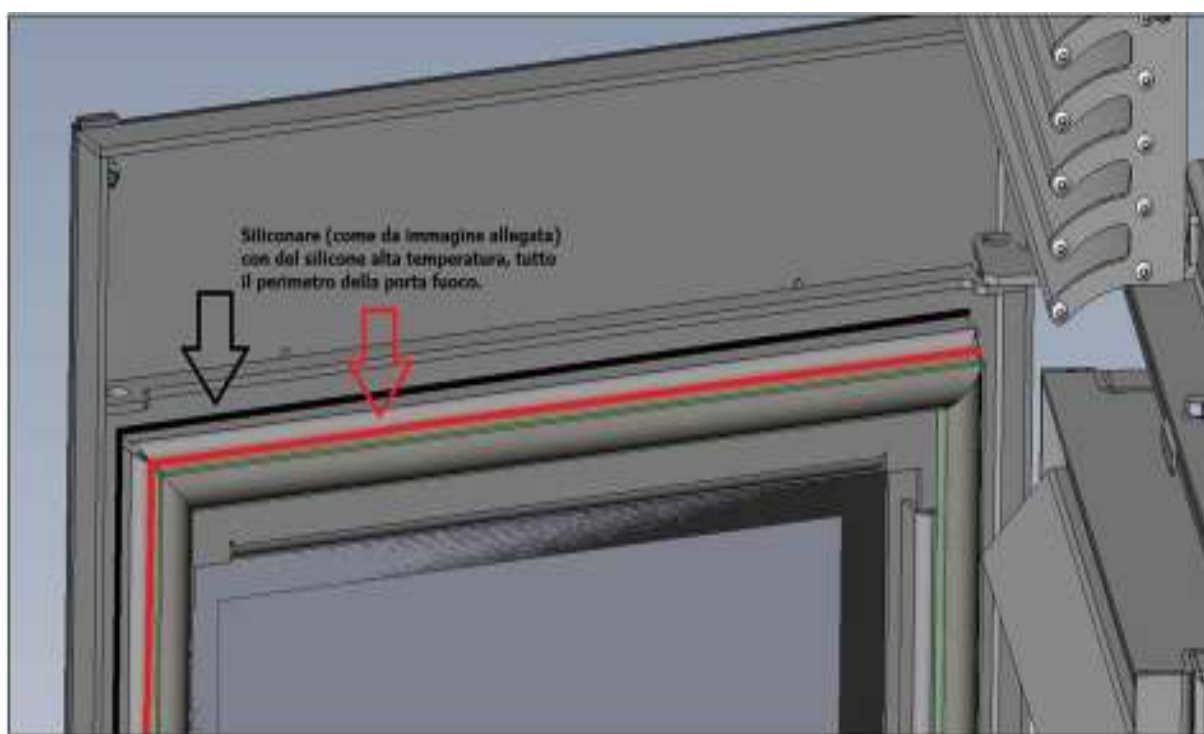
- 2a) Open the door of the boiler and open the inspection cap as show in the picture below;



2b) Check inside the inspection chamber placed under the stove body if the 4 holes have been properly sealed. If not, proceed with sealing these holes with 4 self-tapping screws 5x10 as indicated in the picture below;



3) After closing the inspection cap, seal using high temperature silicone the inner perimeter of the door alongside the junction between the frame of the door and the frame of the glass (at present the junction is welded with 2 points). Also seal using high temperature silicone the external perimeter between the glass frame and the zin-coated frame where the braided gasket is placed. Check picture below:



## Variation for model HRV120 STYLE:

Seal as indicated in point 3 and also seal using high temperature silicone the inner perimeter of the glass (marked in brown in the picture below).

