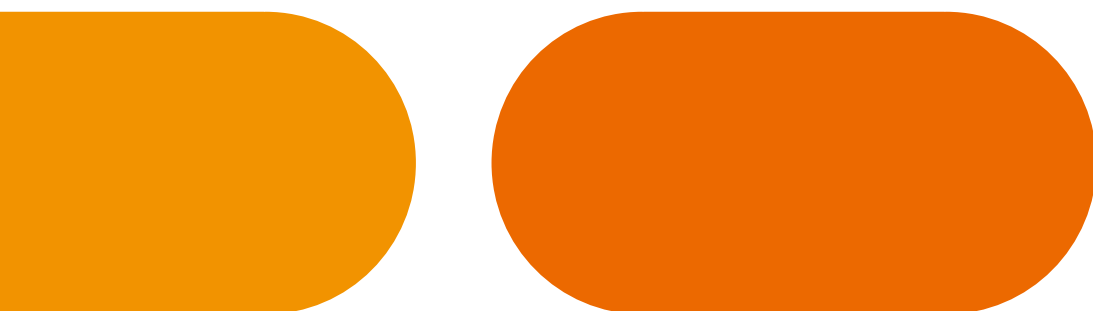


Pellets Heating – so easy





Janfire

Janfire have developed pellets heating systems since 1983. Pellets heating is environmentally friendly, automated and reduces a country's reliance on imported fuels. Several thousand customers have already made the intelligent choice. They chose Janfire pellets heating and saved money.

As the oldest and most experienced company in the business, you can feel safe to choose from our tried and tested products. The fact that several major energy companies have chosen us as exclusive suppliers, and that professional judges have given us top marks, shows that we have a product to be proud of. These achievements are in part owed to our commitment to the following factors: high efficiency, low discharge rates and reliability.

In this brochure we present an assortment of our domestic heating solutions. We also produce heating systems up to 600 kW for larger properties. Please contact us for details.

"When choosing a complete heating solution from Janfire one of our specialists, a "Pellet Pro™", will be your contact person. With their experience they can recommend the best heating solution for your needs."

Effortless

It has always been a matter of course for us to deliver a complete heating solution. We offer burners, boilers, storage and experience. A Janfire boiler and burner give you an economical, future focused, and environmentally friendly heating system. As a heat source a boiler gives you a healthy indoor climate with good ventilation and pleasant warmth.

With the Janfire Integral Comfort Package you fill up with pellets twice yearly (normal home) and spend less than one hour of system maintenance. The system works just as well in the city as in the country. Pellets can be ordered by phone and will be delivered straight to your door by truck, as with oil. Our boiler is designed with a large ash container, which means that you will not have to remove the ash more than twice yearly.

The internal decarbonisation is taken care of by simply pulling a lever located on the side of the boiler (can be automated), clean and easy.

Our burner and boiler are designed to work together in perfect balance and therefore deliver greater energy efficiency compared to using the burner with an old boiler.

The pellets storage tank "PelliStore" was designed to simplify automation and to reduce your workload. Place the PelliStore close to your heating system, another room or outside (must be built-in).



Janfire flex-a

The best seller!

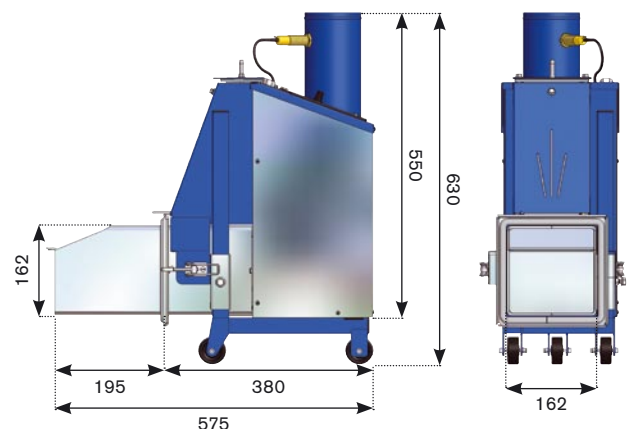
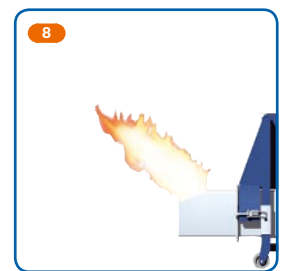
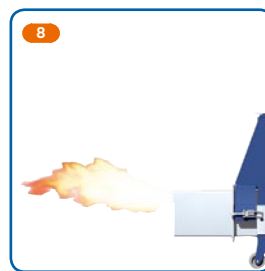
The burner is the heart of our heating system. Our Flex-a has a sturdier frame construction and internal components than other burners on the market. For 14 years, this burner has been the best seller. The Janfire Flex-a is small and fits almost any boiler: oil, fire wood, or combined boilers. Your current boiler can therefore be used. The Flex-a burner replaces the old oil burner. A transport auger supplies the burner with fuel (pellets) directly from the storage container to a small recipient in the burner from where the dosage takes place.

Functions:

- 1 The burners control panel is easy to use. You can turn the burner on and off with a touch of a button. The burner can be adjusted to suit the seasons, size of the building and energy use. These different levels are preprogrammed into the system and fine-tuned during installation to suit your home. Changing the burners effect to its most efficient level is as simple as pressing a button.
- 2 High burning efficiency with low exhaust can only be achieved by a steady flow of pellets. This is accomplished with the use of a small internal feeding auger. The auger feeds the correct amount of pellets from the burners internal pellet container.
- 3 Automatic ignition. Long life ignition element.
- 4 The burning chamber is constructed in such a way that very little fuel can escape the burning zone without being completely spent. No unused pellets can spill over into the boiler. The burning chamber is constructed of heat durable stainless steel.
- 5 The combustion plate can be easily removed for cleaning.
- 6 The burner stands on wheels, which makes it easy to move when removing ash and cleaning.
- 7 Easy quick locking catch - for easy cleaning.
- 8 Janfire Flex-a can be adjusted for upward or horizontal burning flame and is therefore suitable for almost all boilers.

Technical specifications:

- Automatic ignition: 1100 W
- Effect: standard max 18 kW (max 23 kW optional).
- Fan: 60 W, revolution controlled.
- Dosage motor: 15 W, in-built overload protection.
- Safety: Meets the requirements for the P Mark set by SP (Swedish Testing & Research Institute).
- Efficiency: Meets the requirements for the P Mark set by SP and highest European requirements. Total electricity used should not exceed €10-20.



Estimations are based on Swedish fuel prices and converted directly to Euro (November 2005)

Janfire NH

Pellets Burner for everyone – maintenance free



The Janfire NH pellets burner has, thanks to our patented new technique, the least maintenance time of any pellets burner on the market. The burner is completely automated and self-cleaning. It can run for 6 months without service or control (if fitted to a Janfire Pellets Boiler). When mounting onto a regular boiler the period between ash removals depends on the size of the ash container. The patented moving base of the burning chamber scrapes away slag and waste material, feeding it into the boiler's firebox. The burner automatically cleans itself according to preprogrammed intervals. Quick cleaning and a fast restart make for effective hot water production.

Functions:

- Automatic cleaning of the burning chamber.
- Easy to use touch-button control panel. Programmable for optimal performance. Same functions as with the flex-a (pg.4).
- Automatic ignition. Long life ignition element.
- High burning efficiency with low exhaust can only be achieved by a steady flow of pellets. This is accomplished with the use of a small internal feeding auger. The auger feeds the correct amount of pellets from the burner's internal pellet container.
- The burning chamber is constructed in such a way that very little fuel can escape the burning zone without being completely spent. No unused pellets can spill over into the boiler. The burning chamber is constructed of heat durable stainless steel.
- The burner stands on wheels, which makes it easy to move when removing ash and cleaning.
- Easy quick locking catch - for easy cleaning.
- Horizontal burning

Technical specifications:

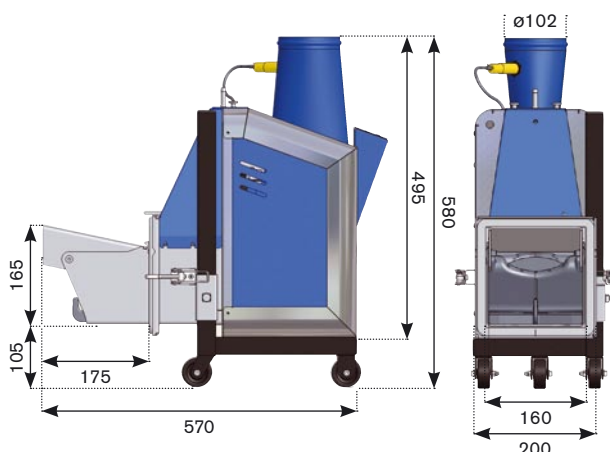
- Self-cleaning burning chamber, motorised, 40 W
- Effect: max 20 kW
- Internal dosage motor: 14 W
- Fan: 7 W, revolution controlled
- Internal dosage storage: volume approx. 3 l
- Easy to use control panel. Choice of summer or winter modes.
- Frame on wheels.
- Automatic ignition: 1100 W
- Safety: Meets the requirements for the P Mark set by SP.
- Efficiency: Meets the requirements for the P Mark set by SP and highest European requirements. Total electricity used should not exceed €10-20.



Effective automatic cleaning of the burning chamber.



Easy to use control panel



Estimations are based on Swedish fuel prices and converted directly to Euro (November 2005)



Janfire Pellets Boiler

Easy cleaning and maintenance!

The Janfire Pellets Boiler works in perfect balance with both new and older Janfire burners. The burner is connected to the boiler without any alterations to the boiler. Maintenance is brought to an absolute minimum with the optional automatic decarbonisation lever. The boiler can be fitted with an automatic ash remover. The ash storage is so large that a home with a normal oil consumption of 4m³ need only empty the ash twice yearly. Ask your chimney sweep about ash removal if you do not wish to do it yourself.

Technical specifications:

- Chimney connection: Top or back
- Convection section: Vertical tubes
- Decarbonisation lever: Can be placed either left or right side of boiler.
- Weight: 295 kg
- Water volume: 150 l
- Firebox/ash container volume: 120 l
- Hot water: High effective cam flange coil ø22 mm L=11 m
- Operational Thermostat: Adjustable intervals of up to 15°
- Flu gas thermometer: Inbuilt with digital display
- Shunt
- Draft limitation hatch
- Touch-button control panel

Extras:

- Shunt automation with preprogrammed time intervals
- Electrical cartridges 3, 6, 9 kW



Janfire Integral

A complete unit

Janfire Integral is a complete boiler and burner unit in one, which is quick and easy to install.

The specifications for the boiler are the same as for Janfire Pellets Boiler (pg.6).

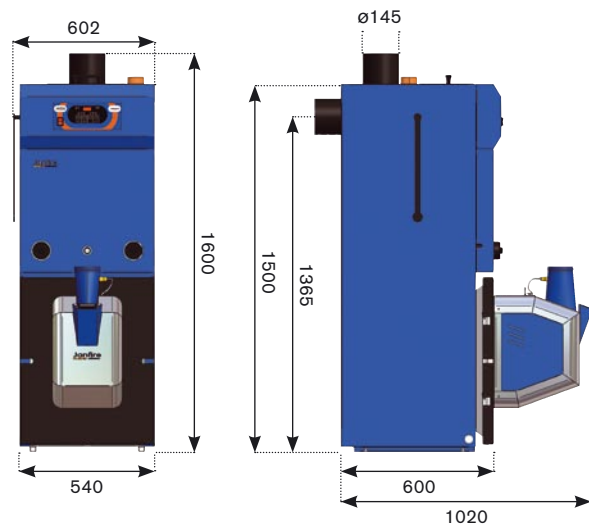
The specifications for the burner are the same as for Janfire NH (pg.5) except that the unit has a specially formed casing and has no wheels. See image.

Technical specifications:

- Boiler: The same as for Janfire Pellets Boiler (pg.6).
- Burner: The same as for Janfire NH (pg.5)

Extras:

- Boiler: The same as for Janfire Pellets Boiler (pg.6).
- Burner: The same as for Janfire NH (pg.5)





Pellet Storage

”Out with your oil tank – in with our Pellets tank!”



PelliStore PCS (Pellets Comfort Solution)

PelliStore PCS is a patented solution for pellets storage, which makes it possible to buy pellets in bulk. Once or twice a year (normal home), the pellets will be delivered by truck directly to your home. For your comfort, everything is taken care of automatically. The PelliStore PCS empties itself almost completely thanks to air cushions that push the remaining pellets towards the feeding auger. The PelliStore PCS come in two sizes, despite its large storage capacity PelliStore PCS does not take up a lot of space (about the same as a normal oil tank 3 m³). Place the PelliStore close to your heating system, another room or outside (must be built-in). Always ask a Pellets Pro™ for the best solution.

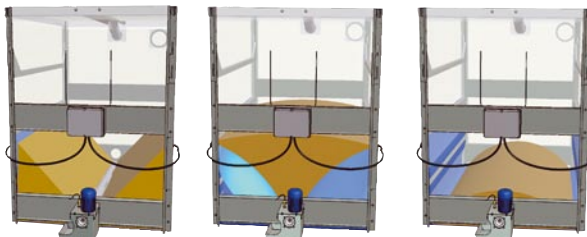
For those who wish to build their own storage tank the feeding auger section can be purchased separately.

Specifications for PelliStore:

- Easy assembling with clear instructions
- Bottom auger
- Automatic control
- Bulk connection for flexible positioning
- Airflow pipe for flexible positioning
- Automatic air pump
- Inspection hatch
- 1 phase, (230 V)
- Container made of strong offshore fabric (dust tight)
- Adjustable height 1900-2000 mm

Extras:

- Extended airflow in and airflow out pipes



1: Approx. 800 kg of pellets is remaining. The feeding auger is empty.

2: The air cushions push the remaining pellets towards the auger.

3: The pellets are fed out of the PelliStore.

PelliStart

Mini silo made of strong corrugated cardboard for manual refill. PelliStart is included in the burner delivery. (See table)

K-silon

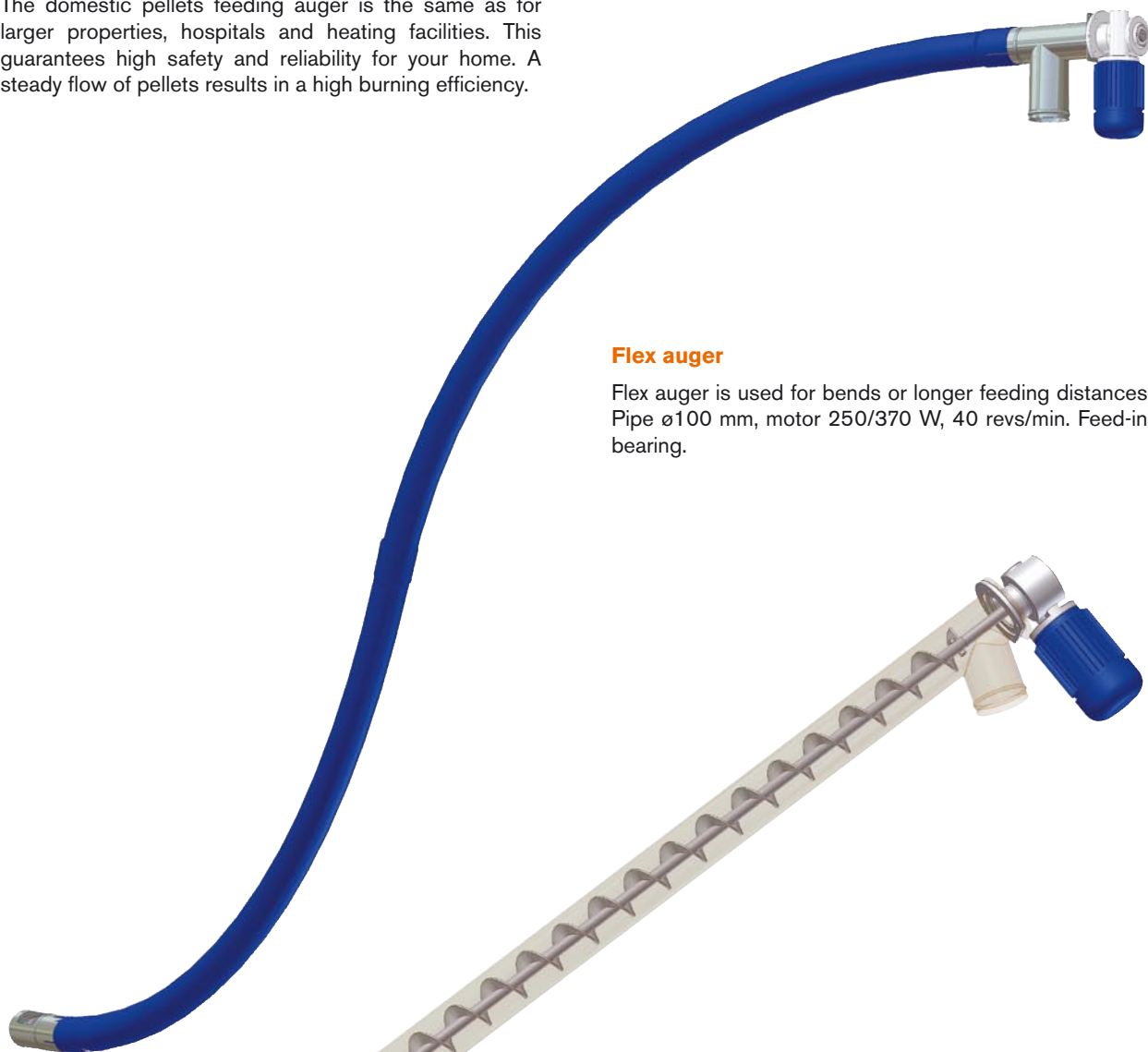
Small silo for manual refill. (See table)

	DIMENSIONS (m)	LITRE	KG	FILLING
PelliStart	W=0,6ø H=0,85	300	180	1-2 per week
K-silo	W=0,83ø H=1,1	230	145	1-2 per week
PelliStore (small)	L=1,51 + 0,3 (feeding box) W=1,51 H=2,0 (1,9)	4,600	2,500	1-3 per year
PelliStore (small)	L=2,2 + 0,3 (feeding box) W=1,51 H=2,0 (1,9)	6,300	3,500	1-2 per year



Feeding systems/transport augers

The domestic pellets feeding auger is the same as for larger properties, hospitals and heating facilities. This guarantees high safety and reliability for your home. A steady flow of pellets results in a high burning efficiency.



Flex auger

Flex auger is used for bends or longer feeding distances. Pipe \varnothing 100 mm, motor 250/370 W, 40 revs/min. Feed-in, bearing.



Steel auger

Our straight steel auger is one of the best on the market, used for standard straight feeding. From experience, we know that fuel injection is a critical part of the system, and we compensate for the different sizes, lengths and hardness of the pellets. Constructed of steel with a progressive spiral welded onto a core, in standard lengths. Pipe in steel \varnothing 100 mm, motor 250/370 W, 40 revs/min. Feed-in.



Economy

Pellets are the most cost effective* and environmentally friendly fuel! *Ex. Wood

Compare different forms of heating

Before deciding which heating system you should choose it is important to weigh the costs of the investment against the potential fuel costs. Keep in mind future price fluctuations.

On our website you can find formulas, which calculate your costs for different forms of heating.

www.janfire.com

Contact your local municipal energy advisor if you have any questions about home heating.

Cost estimation

See how much pellets heating will cost you:

1 kilo pellets contains about 4.8 kWh energy
1 m³ of oil is equivalent to 2.1 metric ton of pellets
2.1 metric ton of pellets replace about 8-10 m³ of birch wood.

Ask your Pellets Pro™ about the costs and see how much you can save. The true winners are the environment and future generations. It is not uncommon for a normal sized home to save up to €1500 per year, when converting from oil or electricity to pellets.

On our web site you can find formulas, which calculate your costs.

You can save up to €8500 – €10500 over a ten-year period if you compare with oil heating for a normal sized home. Loan payments, interest and fuel costs are included.

Compared with ground source heat pumps you can make a saving of up to €5000 in ten years.

Estimations are based on Swedish fuel prices and converted directly to Euro (November 2005)

Environment

The carbon dioxide emission from oil heating adds to the greenhouse effect and in turn contributes to climate change. This is not the case for pellets heating; the net emission of CO₂ into the atmosphere is almost non-existent.

Customer satisfaction

Warranty

Because of our experience with our faithful workhorse Flex-a we can offer a 5 year parts warranty when a Pellets Pro™ services it in accordance to our service book.

When no service has been performed you will get 3 years warranty when inspected by a qualified installer after or in conjunction with installation. Please ask about our warranty conditions.

For the Janfire NH we offer a 3 years warranty when inspected by a qualified installer after or in conjunction with installation.

Pellets Pro's™

Feel confident to turn to our Pellets Pro's™. They are your local installers, with in-depth knowledge of pellets heating systems, which guarantees the best pellets solution for you. Janfire work together with the leading pellets retailers so that you and your local Pellets Pro™ can arrange a cost-effective pellets delivery agreement.

Janfire - Top class in European comparison

The German institution for bio fuel, "Fachagentur Nachwachsende Rohstoffe e.V" conducted a comparison between the most common domestic burners on the market. Janfire (named Axiom) was placed among the best with over 90% burning efficiency in both high and low effect levels.

Pellets

Janfire's retailers and installers can offer favourable delivery agreements together with our business partners.

From southern Sweden up to Hälsingland we cooperate with Statoil, which are a comprehensive pellets supplier.

 www.statoilpellets.se

The majority of our retailers can offer a favourable delivery agreement from Statoil and in conjunction, a reduced installation cost.

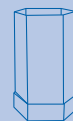
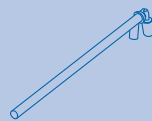
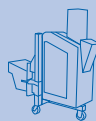
In northern Sweden from Sundsvall up (except Jämtland), we cooperate with Skellefteå Kraft, which are a comprehensive pellets supplier and can offer a favourable delivery agreement and a reduced installation cost.

  www.skekraft.se

Home Packages

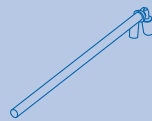
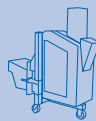
Start up Package A quick start with pellets heating, can easily be combined later with our Comfort Package

- Pellets burner Janfire Flex-a / Janfire NH
- A standard auger for pellets transportation
- Pellistart, Pellets storage of cardboard
- Installation and adjustment



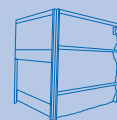
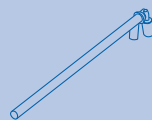
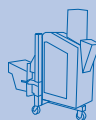
Basic Package

- Pellets burner Janfire Flex-a / Janfire NH
- A standard auger for pellets transportation
- K-silo, week Pellets storage
- Installation and adjustment



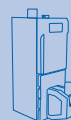
Comfort Package When comfort comes first

- Pellets burner Janfire Flex-a / Janfire NH
- A standard auger for pellets transportation
- Pellistore, pellets tank
- Installation and adjustment
- A full tank of Pellets



Plus Package All of the packages can be combined with Janfire's Pellets Boiler

- Greater convenience
- Higher efficiency
- If ordered together the Janfire NH and Janfire Pellets Boiler are delivered as one unit, Janfire Integral



www.janfire.com



Janfire AB
Customer tel. +46 (0)771-100 100
(Calls are charged at local rates within Sweden)

Factory:
Slättertorpsgatan 3,
Box 194,
662 24 Åmål

info@janfire.com
www.janfire.com

Janfire
pellets heating

Retailer / Pellet Pro™

