

A breath of fresh air for wood

EasyWIN

Wood gasification boiler

Output: 18 kW

Suitable fuels: 1/3 m split logs,
unprocessed residual wood

windhager

HEAT WITH VISION



Wood



**A breath of
fresh air.**

EasyWIN

Compact and efficient.

Forward thinking and looking for a cost effective solution to integrate renewable energy into your heating system, the EasyWIN is the perfect choice. Thanks to Windhager system technology, this compact wood gasification boiler can be easily integrated into your new or existing heating system. In addition to its low cost it is robust in construction and built to last. Windhager's proven and perfected combustion technology used on the EasyWIN ensures optimum use of fuel and reliable operation every time.

EasyWIN

EASY – SIMPLE AND PRACTICAL.

- Simple operation.
- Fast start and heat up with clean, smoke free refilling
- Easy removal of ash from the front of appliance.
- Compact footprint of only 0.5 m².
- Ideal supplement boiler for your existing heating system.

ECONOMICAL AND ENERGY SAVING.

- Economical and efficient
- Low operating costs
- No additional auxiliary energy required for EasyWIN Klassik
- Proven down firing combustion technology guarantees optimum use of fuel
- Reliable operation with hardwood and softwood.

RELIABLE OPERATION

- Long service life thanks to its robust design.
- Stable combustion process of softwood and hardwood.
- Fan option (EasyWIN Premium) to allow faster start up and to overcome low flue draught problems.



1



1 Easy transport.

The EasyWIN's compact dimensions (less than 600 mm wide) and the practical base design allows simple transportation of the appliance into the boiler room.

Advantages:

- Easy to transport.
- Easy to manoeuvre through a 600 mm wide door.

2 Compact design and installation footprint of only 0.5 m²

3



3 Simple start up and refilling.

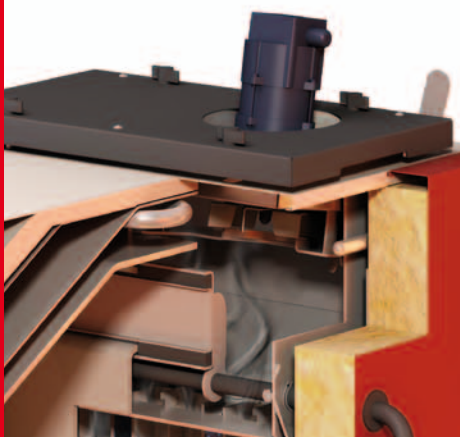
The EasyWIN design allows the hot flue gases to be manually diverted from the filling chamber directly to the chimney. This allows temperature control of the chimney to ensure formation of a good basic firebed to improve start up. Diverting of the flue gases directly to the chimney also allows simple refilling of fuel without smoke being expelled into the boiler room.

Advantages:

- Fast, reliable and simple start procedure
- Clean, smoke free refilling of fuel

4 The patented modular combustion chamber design ensures optimum operating performance and a long service life

6



5 Adjusting the air supply.

In order to achieve an optimum combustion with different types of wood the EasyWIN is equipped with manual primary and secondary air controls. Depending on the fuel quality and quality of combustion, the amount of primary and secondary air supplied can be adjusted to improve the overall performance of the boiler during combustion.

Advantages:

- Stable and clean combustion of both softwood and hardwood.
- Complete combustion control.

Compact. Simple. Robust.

6 Suction fan (EasyWIN Premium).

The fan option fitted to the EasyWIN Premium enables faster and easier starting and heat up. The fan also ensures smoother operation since the boiler is less influenced by the nature of the chimney, the flue gas temperature, and pressure conditions of the weather.

Advantages:

- Start up is even easier and faster.
- Stable combustion even if the flue draught is low.

7 The robust filling chamber (up to 7 mm wall thickness) and the low wear construction of the boiler guarantee a long service life and reliable operation.



Illustration:
EasyWIN Premium

Simple combination.

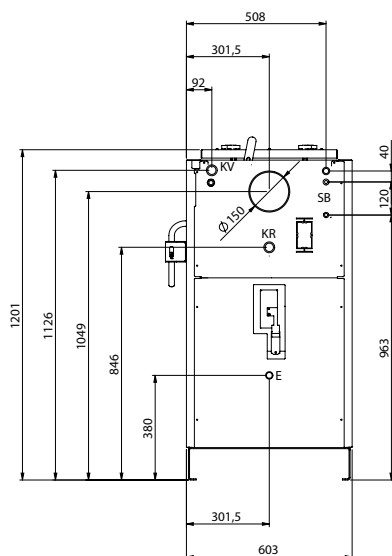
Thanks to Windhager system technology, the EasyWIN can easily be combined with other heat sources to provide flexible heating systems with multiple heat inputs. Integration of the EasyWIN into fully automatic heating systems including wood pellet and solar thermal is simple with Windhager system solution designs and controls, saving both time and money.

The complete package - Windhager provides design solutions and components that carry a unique functional guarantee. With Windhager everything will work together perfectly as designed to give optimum efficient performance and control of the complete heating system, guaranteed.

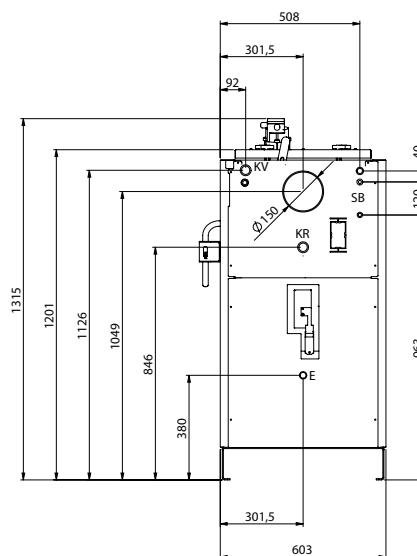


Warmth when you need it.

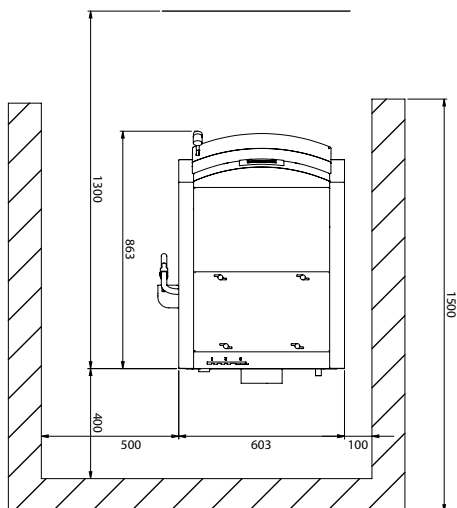
DIMENSIONAL SKETCHES AND TECHNICAL DATA – EasyWIN



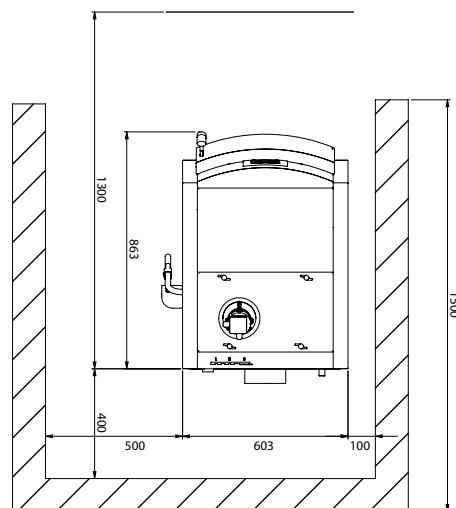
Rear view: EasyWIN Klassik



Rear view: EasyWIN Premium



Plan view: EasyWIN Klassik



Plan view: EasyWIN Premium

KV...boiler feed • KR...boiler return • SB...safety battery • E...drain off point

Technical data

Model		EasyWIN Klassik 180 natural draught	EasyWIN Premium 180 with suction fan
Nominal thermal output	kW	18	18
Filling chamber volume	litres	66	66
Burning duration of beech	h	~ 3	~ 3
Weight	kg	360	360
Installation dimensions W x D x H (without cladding)	mm	595 x 920 x 1200	595 x 920 x 1300
Boiler dimensions W x D x H (without cladding)	mm	680 x 920 x 1200	680 x 920 x 1300
Flue gas tube connection	mm	150	150
Flue gas tube connection height	mm	1049	1049
Flue gas temperature	°C	205	205
Required flue draught	mbar	0,17	0,13
Electrical connection	kW	—	0,07

Austria:

Windhager Zentralheizung GmbH
Anton-Windhager-Straße 20
A-5201 Seekirchen bei Salzburg
Tel. +43 (0) 62 12/23 41-0
Fax +43 (0) 62 12/42 28
E-Mail: info@at.windhager.com

Windhager Zentralheizung GmbH
Carlberggasse 39
A-1230 Wien

Ελλάδα

Ν.Σαμαράς Θέρμανση
Exclusive Sales Partner for Greece

Ν.ΣΑΜΑΡΑΣ ΘΕΡΜΑΝΣΗ ΒΙΟΜΑΖΑΣ
Windhager Sales Partner in Greece
32ο χλμ. Λεωφ. Λαυρίου - ΤΘ: 20009
ΤΚ: 19003, Μαρκόπουλο, Αττική
Τηλ: 2299063480 • Φαξ: 2299063481

 info@nsamaras.gr
www.nsamaras.gr
 /nsamaras.heating
 /samaras_biomass

Your expert PARTNER:




windhager

ΘΕΡΜΑΝΣΗ ΜΕ ΟΡΑΜΑ